

NEO® 240 Undercounter Ice Machines

Models

- | | | |
|-----------------------------------|-----------------------------------|-----------------------------------|
| <input type="checkbox"/> UR-0240A | <input type="checkbox"/> UD-0240W | <input type="checkbox"/> UY-0240W |
| <input type="checkbox"/> UD-0240A | <input type="checkbox"/> UY-0240A | |



U-240

- Power**
- Delay**
- Clean**
- Full Bin**
- Service**

- Up to 225 lbs (102 kg) of daily ice production
- Only 26" (66.04 cm) wide, 28.00" (67.31 cm) deep, and 38.50" (82.55 cm) high on 6" (15.24 cm) legs
- 80 lb. (36.6 kg) ice storage capacity

NEO undercounter ice machines are designed to provide ice right where you need it – within reach. Improvements in **Performance**, **Intelligence** and **Convenience** make your ice machine easy to own and less expensive to operate.

Performance – NEO produces more ice than ever before while using less water and energy. The storage bin provides industry leading capacity.

Intelligence – NEO provides feedback with full bin and service indicators. Delay function allows you to pause your machine for short periods or days when you're closed.

Convenience – NEO offers a forward-sliding storage bin for easy access to refrigeration components without having to move the entire ice machine. Smooth, sealed food-zone with removable water trough, distribution tube, and damper door for faster cleaning. AlphaSan added to key internal components.

Available **LuminIce® Growth Inhibitor** extends cleaning intervals by reducing yeast and bacteria growth keeping your ice machine cleaner, longer.

Specifications

BTU Per Hour:
2,700 (average)
3,300 (peak)

Compressor:
Nominal rating: .44 HP

Cupra-Nickel Condenser:
(Water-cooled models)
Adds protection from corrosive water elements.

- Operating Limits:**
- Ambient Temperature Range: 40° to 110°F (4.4° to 43.3°C)
 - Water Temperature Range: 45° to 90°F (4.4° to 32.2°C)
 - Water Pressure Ice Maker Water In: Min. 20 psi (137.9 kPa) Max. 80 psi (551.1 kPa)
 - Condenser Inlet Water In: (Water-cooled only) Min. 20 psi (137.9 kPa) Max. 150 psi (1,034.2 kPa)



Ice Shape



Half Dice
3/8" x 1 1/8" x 7/8"
(.95 x 2.86 x 2.22 cm)



Dice
7/8" x 7/8" x 7/8"
(2.22 x 2.22 x 2.22 cm)



Regular
1 1/8" x 1 1/8" x 7/8"
(2.86 x 2.86 x 2.22 cm)

Ice Machine Electric

Power Cord:
115/60/1 ice machines are factory pre-wired with a 6' (180 cm) power cord and NEMA 5-15P-plug configuration. 208-230/60/1 ice machines are factory pre-wired with a 6' (180 cm) power cord only, no plug is supplied.

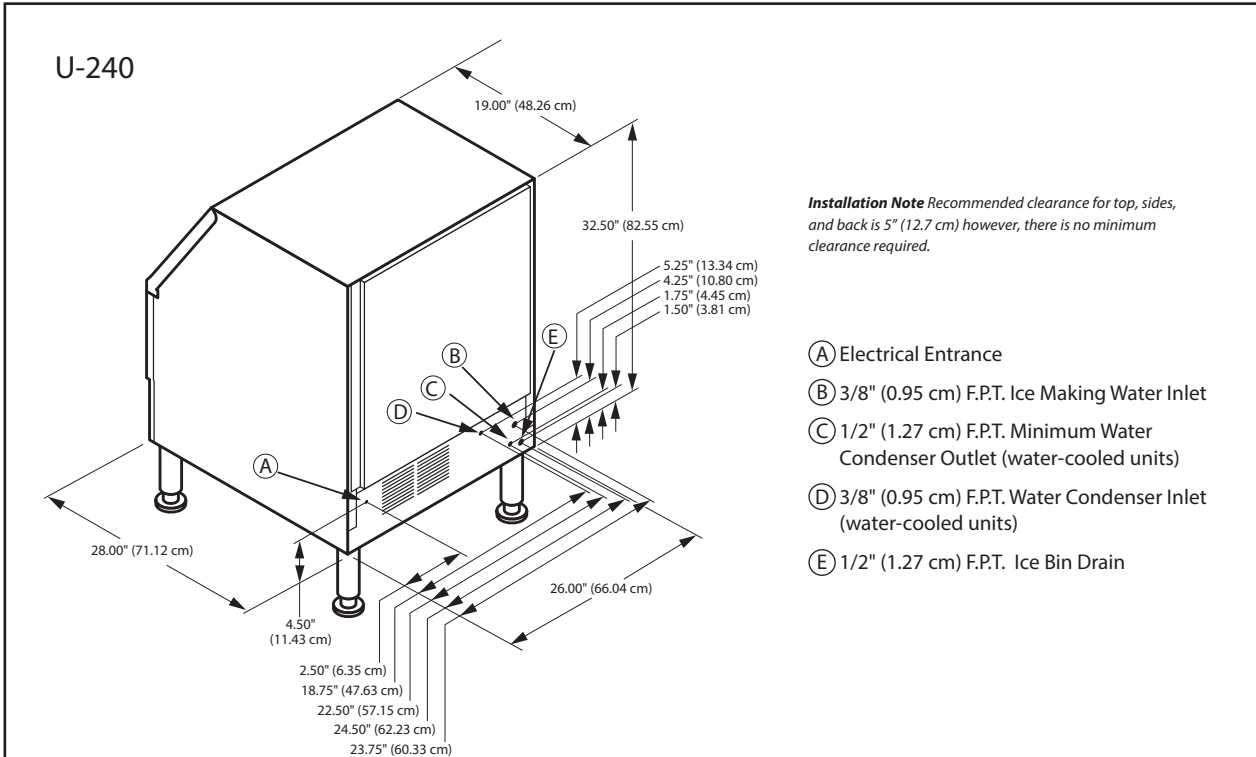
Total Amps:
115/60/1 Air-cooled and Water-cooled: 7 amps
208-230/1/60 Air-cooled and Water-cooled: 4 amps

Maximum fuse size:
Air-cooled and Water-cooled: 15 amps
HACR-type circuit breakers can be used in place of fuses.





NEO® 240 Undercounter Ice Machines



Installation Note Recommended clearance for top, sides, and back is 5" (12.7 cm) however, there is no minimum clearance required.

- Ⓐ Electrical Entrance
- Ⓑ 3/8" (0.95 cm) F.P.T. Ice Making Water Inlet
- Ⓒ 1/2" (1.27 cm) F.P.T. Minimum Water Condenser Outlet (water-cooled units)
- Ⓓ 3/8" (0.95 cm) F.P.T. Water Condenser Inlet (water-cooled units)
- Ⓔ 1/2" (1.27 cm) F.P.T. Ice Bin Drain

Specifications

Model	Ice Shape	Ice Production 24 Hours				Power kWh/ 100 lbs. @ 90°/70°F 32°/21°C	Potable water usage gal/100 lbs. ice @90/70°F	ENERGY STAR®
		70°Air/50°F Water 21°Air/10°C Water		90°Air/70°F Water 32°Air/21°C Water				
UR-0240A	regular	217 lbs	98 kg	154 lbs	70 kg	8.9	21.4	★
UD-0240A	dice	225 lbs	102 kg	160 lbs	73 kg	8.8	23.4	★
UD-0240W	dice	201 lbs	91 kg	170 lbs	78 kg	7.5	22.7	NA
UY-0240A	half-dice	225 lbs	102 kg	160 lbs	73 kg	8.7	21.5	★
UY-0240W	half-dice	212 lbs	104 kg	170 lbs	78 kg	7.5	21.8	NA

Water-cooled Condenser Water Usage / 100 lbs./45.4 kg of Ice: 149 gal. / 564 liters

Water-cooled models are excluded from ENERGY STAR® qualification.

Air Flow

Air in right, air out left, no side vents. Great for installation under countertops and next to other equipment.

Removable Bin

Air Filter

Simple, tool-free removal for quick access during routine cleaning and maintenance.