

EMF 2300 Series Flake Ice Maker - Modular

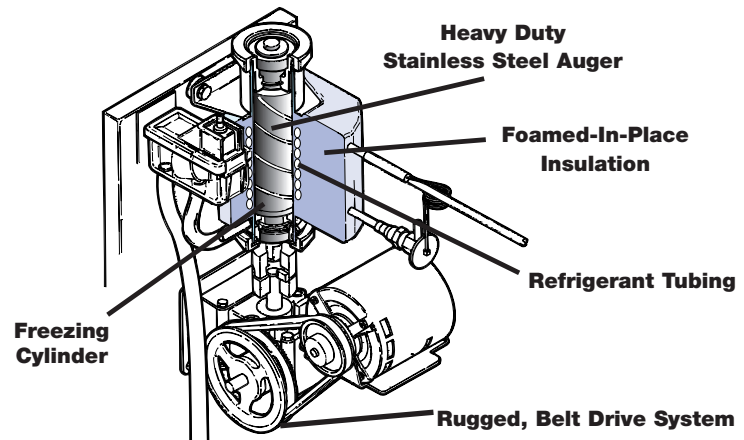


**EMF2300 Flake Ice Maker
shown on model B-100 Bin**

EMF 2300

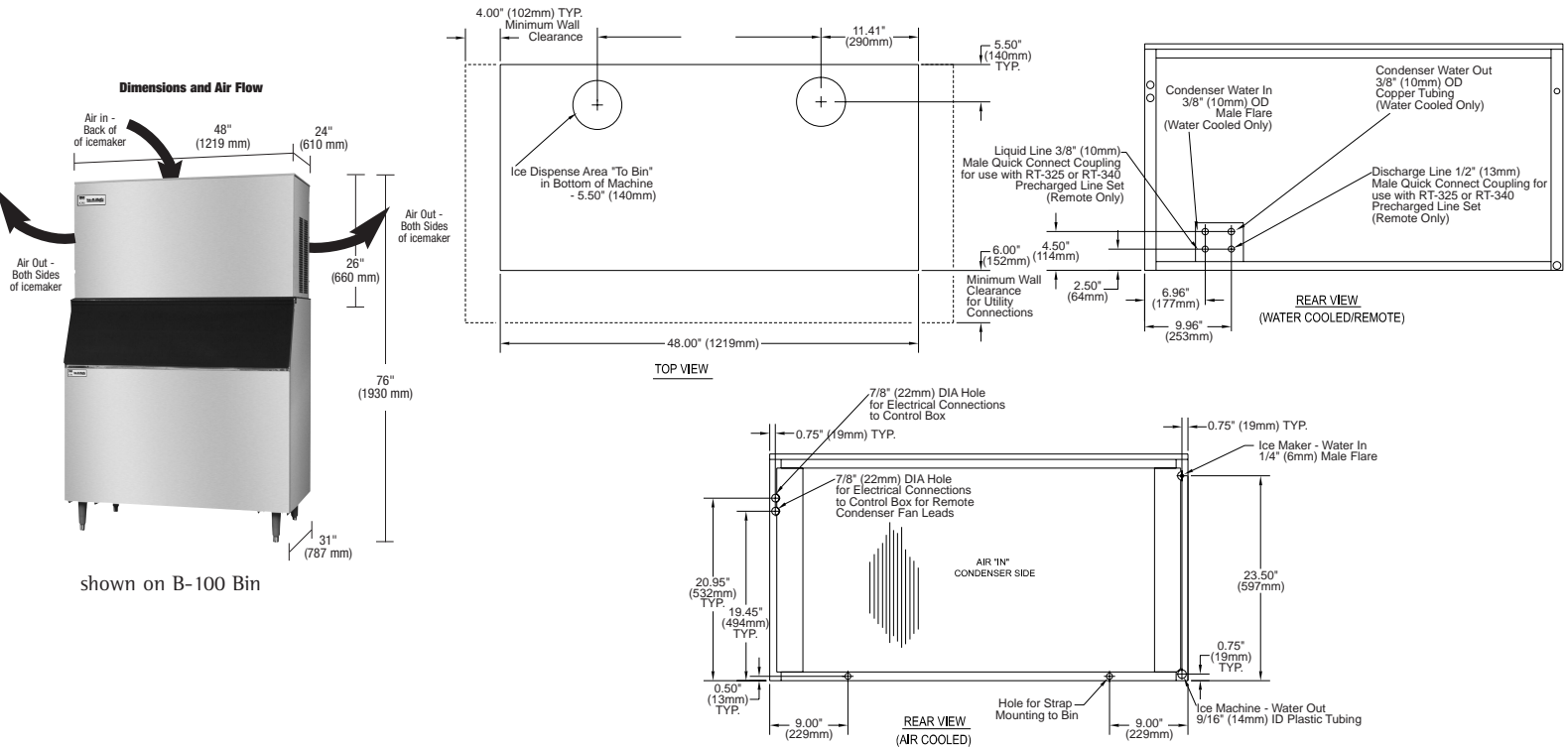
Produces up to 2624 lbs. (1193 Kgs.)* of ice per day.

- Stainless steel exterior.
- Precision built evaporator features a durable freezing cylinder constructed of brass. The copper refrigerant tubing is “wrapped,” then soldered around the outside of the freezing cylinder to create an efficient ice-making zone within the cylinder. The entire evaporator is encased with a foamed-in-place polyurethane insulation. The one-piece, heavy duty stainless steel auger moves ice upward through the cylinder and excess water is removed as the ice is pushed through the extruder, providing large, hard, dry flakes of ice.
- Works on all industry dispensers and bins.
- Simple and rugged belt drive system, unique to Ice-O-Matic, is much more tolerant of a wide variety of operating conditions as compared to direct drive type flakers.
- Environmentally responsible. EMF Series machines use R-404A, an approved, non-ozone depleting refrigerant.
- Available with an air-, water- or remote-cooled condenser.



*Tested at 70° Air/50° Water

EMF 2300 Series Flake Ice Maker - Modular



shown on B-100 Bin

ICE PRODUCTION CHART POUNDS (KILOGRAMS) PER 24 HOURS

Conds. Unit	Air Temp. °F (°C)	EMF 2306			EMF 2305			
		Water Temp. °F (°C)			Water Temp. °F (°C)			
		80°(27)	70°(21)	50°(10)	80°(27)	70°(21)	50°(10)	
Air Cooled	90° (32°)	1681 (764)	1808 (822)	1986 (903)	90° (32°)	1730 (786)	1860 (845)	2066 (939)
	80° (27°)	1791 (814)	1926 (875)	2119 (963)	80° (27°)	1878 (854)	2019 (918)	2221 (1010)
	70° (21°)	1904 (865)	2047 (930)	2252 (1024)	70° (21°)	2009 (913)	2160 (982)	2376 (1080)
Water Cooled	90° (32°)	2068 (940)	2224 (1011)	2384 (1084)	90° (32°)	1968 (894)	2116 (962)	2254 (1024)
	80° (27°)	2117 (962)	2276 (1035)	2504 (1138)	80° (27°)	1992 (906)	2142 (974)	2357 (1071)
	70° (21°)	2218 (1008)	2385 (1084)	2624 (1193)	70° (21°)	2080 (945)	2236 (1016)	2460 (1118)
Remote Cooled	90° (32°)	1700 (773)	1828 (831)	2047 (931)				
	80° (27°)	1870 (850)	2010 (914)	2212 (1005)				
	70° (21°)	2009 (913)	2160 (982)	2376 (1080)				
	50° (10°)			2424 (1102)				
	30° (-1°)			2472 (1124)				
	0° (-18°)			2521 (1146)				

OPERATING LIMITS

Ambient Temp. Range	50° - 104°F (10° - 40°C) 60Hz
Air & Water	50° - 110°F (10° - 43°C) 50Hz
Remote	-20° - 120°F (-29° - 49°C) 60Hz -20° - 110°F (-29° - 43°C) 50 Hz
Water Temp. Range	40° - 80°F (4.5° - 27°C)
Water Pressure Ice Maker	Min. 20 psi (1.4 bar)
Water in	Max. 60 psi (6.9 bar)
Condenser Inlet Water	Min. 20 psi (1.4 bar)
(Water cooled only)	Max. 60 psi (6.9 bar)

All specifications and performance data are subject to normal manufacturing variances.

ORDERING AND SPECIFICATION INFORMATION

Model No.	Cond. Unit	Ice Production per 24 hrs. at 70° Air/50° Water lbs. (Kgs.)	Ice Production per 24 hrs. at 90° Air/70° Water lbs. (Kgs.)	Water Used-Gals. (Lits.) per 100 lbs. of Ice		Kilowatts Used per 100 lbs. of Ice	Btuh	Voltage Characteristics	No. of Wires	Min. Circuit Amp.	Max. Fuse Size	Shipping Weight lbs. (Kgs.)
				Ice Prod. Use	Cond. Use							
EMF2306AS	Air	2252 (1024)	1808 (822)	12.0 (45)	n/a	3.0	18978	208-230/60/1	3	9.4	15	370 (168)
EMF2306WS	Water	2624 (1193)	2224 (1011)	12.0 (45)	182.8 (692)	2.2	21600	208-230/60/1	3	8.5	15	370 (168)
EMF2306RS	Remote	2376 (1080)	1828 (831)	12.0 (45)	n/a	3.1	19194	208-230/60/1	3	10.4	15	370 (168)
EMF2305AS	Air	2376 (1080)	1860 (845)	12.0 (45)	n/a	2.9	18931	220-240/50/1	3	17.5	20	370 (168)
EMF2305WS	Water	2460 (1118)	2116 (962)	12.0 (45)	179.4 (679)	2.4	21297	220-240/50/1	3	15.0	20	370 (168)

See Bin specification sheet for information on ice storage bins

Please note: air-cooled units require 6" (152 mm) clearance for air intake and exhaust.