



KM-1301S_H(3)

STACKABLE ICE CUBER



KM-1301S_H(3)
04/05/16
Item # 13232

Item #: _____
 Project: _____
 Qty: _____
 AIA#: _____

Features

- ▶ Individual crescent cube
- ▶ Stainless steel evaporator
- ▶ CycleSaver™ design

- Up to 1353 lbs. of ice production per 24 hours
- Stackable for 2706 lbs. per 24 hours ice production in the same floor space
- Durable stainless steel exterior
- Protected by H-Guard Plus Antimicrobial Agent
- EverCheck™ alert system
- Removable air filters (Air-cooled model only)
- R-404A Refrigerant

Available on Bins:

B-800 **B-1150SS** **B-1500SS** *Top kit may be required.*
B-900 **B-1300SS** **B-1650SS** *See Bin Spec Sheets.*

Warranty:

3 Year Parts & Labor on entire machine. 5 Year Parts & Labor on Evaporator. 5 Year Parts on Compressor; air-cooled condenser coil. Valid in United States, Canada, Puerto Rico and U.S. Territories. Contact factory for warranty in other countries.



W x D x H
48" x 27^{3/8}" x 27^{3/8}"

KM-1301SAH
Air-Cooled 1 Phase

KM-1301SWH
Water-Cooled 1 Phase
Shown on optional bin B-900

KM-1301SRH ★
Remote Air-Cooled 1 Phase

KM-1301SAH3 ★
Air-Cooled 3 Phase

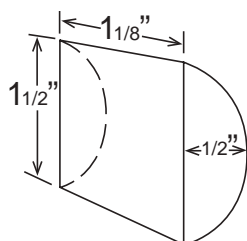
KM-1301SWH3
Water-Cooled 3 Phase

KM-1301SRH3 ★
Remote Air-Cooled 3 Phase



	Condenser	Model	ICE PRODUCTION				WATER USAGE			ELECTRICAL			Heat Rejection BTU/hr.	Shipping Weight	ENERGY STAR®
			Air / Water Temp Lbs. per 24 hours	Per Cycle	Potable Gal. per 100 lbs.	Condenser Gal. per 100 lbs.	kWh Used per 100 lbs.	Max. Fuse Size or HACR Circuit Breaker	Amperage	Voltage					
			70°/ 50°F	90°/ 70°F	Lbs.	Cubes	90°/ 70°F	90°/ 70°F	90°/ 70°F						
1 Phase	Air-Cooled	KM-1301SAH	1329	1164	29.8	1440	15.7	N/A	4.63	20A	12.4A	208-230V/60/1	20,300	315 lbs.	
	Water-Cooled	KM-1301SWH	1290	1276	31.5	1440	19.6	124	3.44	20A	8.2A	208-230V/60/1	17,200	315 lbs.	
	Remote Air-Cooled	KM-1301SRH	1353	1222	31.1	1440	16.6	N/A	4.1	20A	13.5A	208-230V/60/1	17,600	315 lbs.	★
3 Phase	Air-Cooled	KM-1301SAH3	1298	1159	30.4	1440	15.6	N/A	4.6	20A	9.5A	208-230V/60/3	20,200	315 lbs.	★
	Water-Cooled	KM-1301SWH3	1248	1251	30.3	1440	20.5	130	3.31	20A	6.1A	208-230V/60/3	16,200	315 lbs.	
	Remote Air-Cooled	KM-1301SRH3	1339	1197	30.7	1440	16.0	N/A	4.3	20A	10.7A	208-230V/60/3	17,500	315 lbs.	★

KM Cube Dimensions*



* approximate size in inches, image not to scale

Operating Limits

- Ambient Temp Range 45 - 100°F
- Water Temp Range 45 - 90°F
- Water Pressure 10 - 113 PSIG
- Voltage Range 187 - 253V

Service

- Panels easily removed and all components accessible for service.
- Allow 6" (15cm) clearance at rear, sides, and top for proper air circulation and ease of maintenance/service.

Plumbing

- Icemaker Water Supply Line: Minimum 3/8" Nominal ID Copper Water Tubing or Equivalent
 - Icemaker Drain Line: Minimum 3/4" Nominal ID Hard Pipe or Equivalent
- Water-Cooled Model (Lines Must Be Independent of Icemaker)
- Condenser Water Supply Line: Minimum 3/8" Nominal ID Copper Water Tubing or Equivalent
 - Condenser Drain/Return Line: Minimum 3/8" Nominal ID Hard Pipe (open drain system) or Copper Water Tubing (closed loop system) or Equivalent



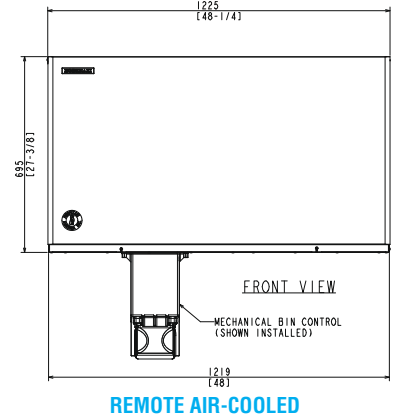
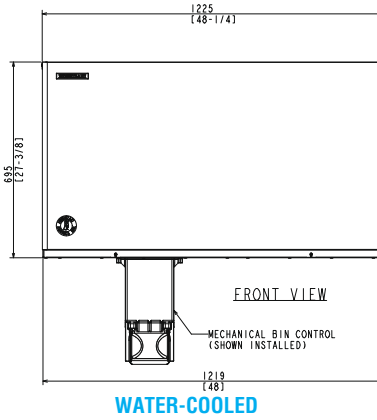
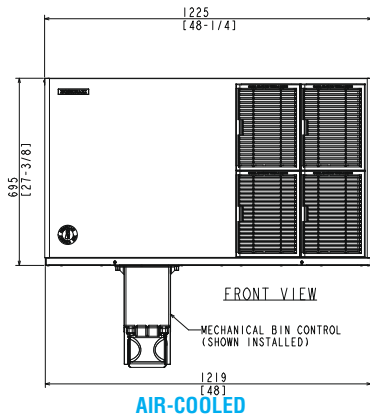
KM-1301S_H(3)

STACKABLE ICE CUBER

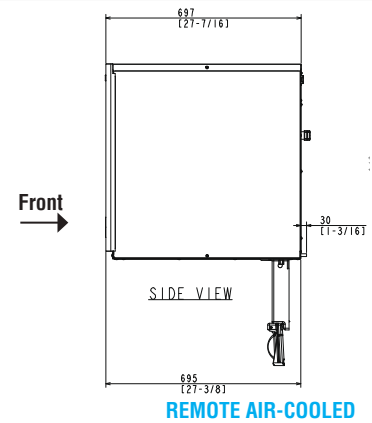
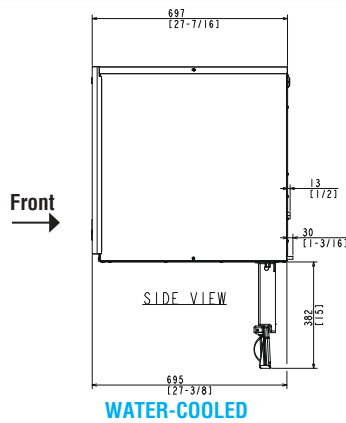
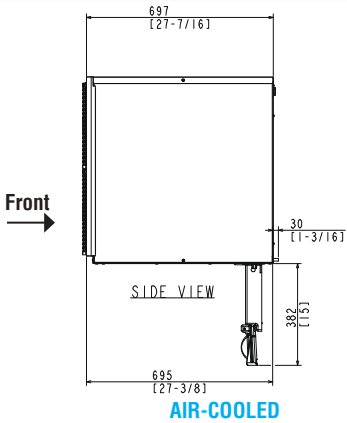


KM-3101S_H(3)
04/05/16
Item # 13232

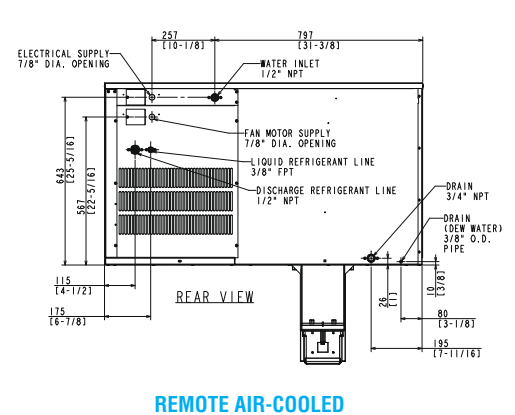
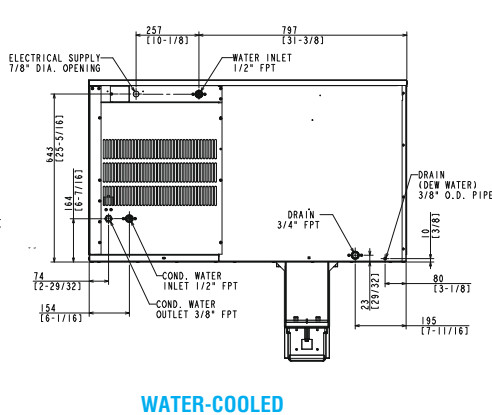
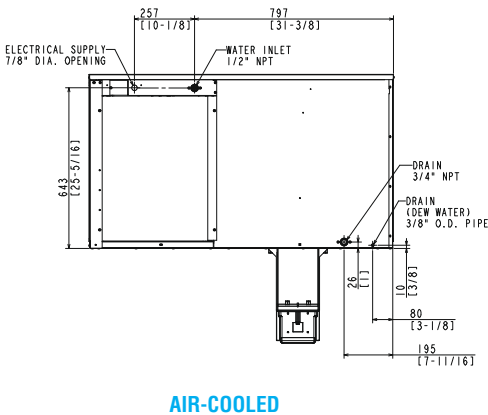
FRONT VIEW



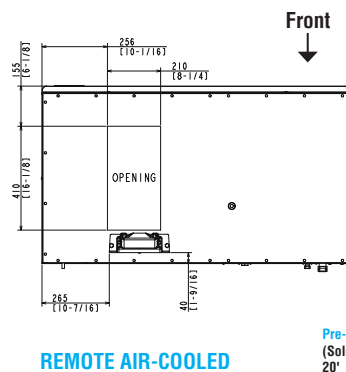
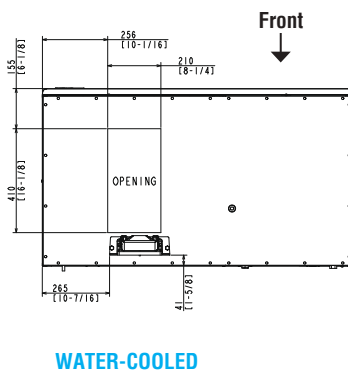
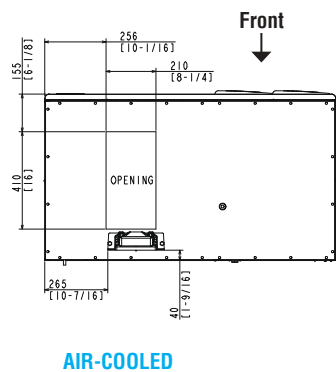
SIDE VIEW



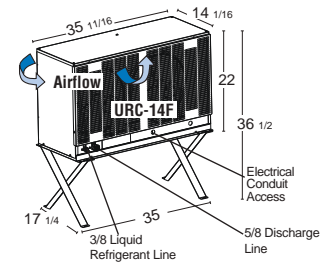
BACK VIEW



BOTTOM VIEW



URC-14F Remote Condenser (Sold Separately)
For Use with KM-1301SRH(3)



Pre-Charged Tubing Kits
(Sold Separately)
20' R404-2068-2
35' R404-3568-2
55' R404-5568-2



Voltage supply for the URC Remote Condenser is supplied from the Ice Maker. No additional circuit is required.